

# MAH22PR

MAYTAG® COMMERCIAL  
ENERGY ADVANTAGE™  
HIGH-EFFICIENCY FRONT-LOAD WASHERS



## LEGENDARY MAYTAG DEPENDABILITY

Maximizing your equipment investment for over a half century.

- ▶ **MODIFIED ENERGY FACTOR 2.25**
- ▶ **WATER FACTOR 4.34**
- ▶ **CEE TIER III RATED**



Designed for non-coin usage as well as compatible with most card readers.

## A COMPLETE LINE OF ENERGY-EFFICIENT SOLUTIONS

Maytag built the first appliance ever to receive the ENERGY STAR® label. Today we offer a complete line of high-efficiency commercial laundry appliances—from industry-leading energy-efficient dryers to highly efficient ENERGY STAR®-qualified washers—to help you save money and build profits.

### FOR YOUR CUSTOMERS:

- Large Capacity For Bulky Items—3.1 cu. ft.
- High-Speed Extraction Cuts Drying Time (as high as 1,000 RPMs)
- Extra-Large Door Opening
- Easy-To-Use One-Touch Cycle Selection
- Flexible Wash Options
- Time Remaining Display
- Automatic Detergent, Softener And Bleach Dispenser
- Large Windows For Convenience
- Tilted Front Controls For Easy Viewing
- ADA Compliant With Optional Pedestal

### FOR YOUR OPERATION:

- High Efficiency Design Meets CEE Tier III Rating
- TurboWash™ System Delivers Better Cleaning With Less Average Water Use Per Cycle
- Super Cycle Option Increases Revenue
- Anti-Microbial Bellows
- Self-Diagnostic Feature Cuts Service Cost And Minimizes Downtime
- Accu Trac® Audit System With Two-Way Data Communication
- Debit Card Compatibility
- Advanced Computer Trac® Controls Allow For Easy Programming
- Simple Soft-Mount Design For Easy Installation

### BUILT-TO-LAST™ FEATURES:

- Porcelain-Enamel Top With Backsplash
- Precision Endurance Drive
- Controlled Induction Motor
- Best Warranty In The Business—5 Years All Parts



\* Shown with optional pedestal.

LAUNDRY SOLUTIONS  
YOU CAN *DEPEND ON.*

**SAVE UP TO 60% YEARLY\* ON ENERGY,  
WATER AND SEWER COSTS.**

visit [maytagcommerciallaundry.com](http://maytagcommerciallaundry.com)

\*Maytag Commercial front-load washer compared to commercial top-load washer. Individual savings may vary.

CLP800C



## OUR COMMITMENT TO DEPENDABLE QUALITY

At Maytag, we believe durable goods should remain just that. That's why every Maytag® product is constructed of the highest-quality materials and with the utmost in precision craftsmanship. It's also why we stand behind our equipment with solid service and support from our professional Maytag laundry suppliers. Simply put, when you choose Maytag® products, you ensure your peace of mind.

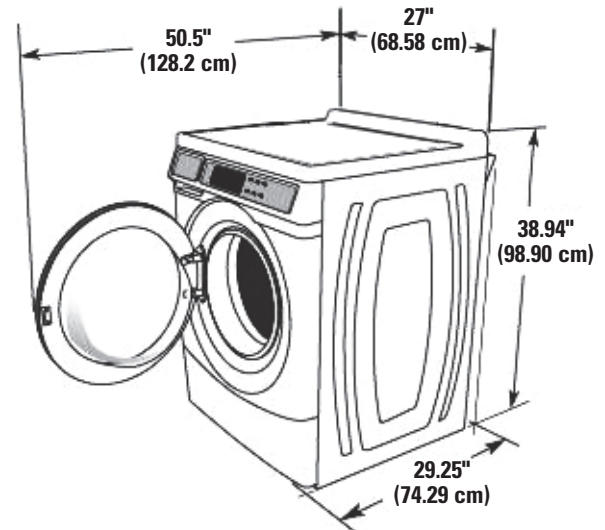


## MAH22PR MAYTAG® COMMERCIAL ENERGY ADVANTAGE™ HIGH-EFFICIENCY FRONT-LOAD WASHERS

### Maytag® Energy Advantage™ Front-Load Washer

FOR NON-COIN OPERATION OR MICROPROCESSOR CARD READER-READY

WASHER SPECIFICATIONS	
<b>MODEL</b>	MAH22PR
<b>EXPORT MODEL</b>	MAH22PN
<b>MOTOR</b>	
Variable-speed, reversible, thermoprotected, high-efficiency, controlled induction	•
Wash—HP (kw)	.09 (.07)
Extract—HP (kw)	.54 (.40)
Average kWh per cycle	.054
<b>APPROXIMATE WATER USAGE</b> —gallons (liters)	
Average hot water usage, hot water cycle	3.4 (12.8)
Average hot water usage, warm water cycle	1.6 (6.1)
Average total water usage per cycle	13.2 (49.9)*
<b>ELECTRICAL RATING</b>	
Domestic model—voltage	120V/60 Hz
Export model—voltage	220-240V/50Hz
<b>BREAKER/FUSE REQUIREMENTS</b>	
Domestic model—amps	15
Export model—amps	10
<b>SOUND LEVEL</b> (export model only)	
Sound Pressure Level, Lpa (dbA) (Kpa: +/- 3.6 dbA)	58
<b>CYLINDER</b>	
Volume—cu. ft. (liters)	3.1 (88)
Diameter—in. (mm)	21.6 (547)
Depth—in. (mm)	13.4 (341)
<b>DOOR OPENING</b>	
In. (mm)	14.2 (361)
<b>WASH SPEED</b>	
RPM	40
<b>EXTRACT SPEED</b>	
Maximum rpm	1,000
Maximum g-force	306
<b>OPERATING PRESSURE</b>	
Psi (bar)	20-100 (1-8)
<b>INLET HOSE</b>	
Ft. (m)	4 (1.22)
<b>DRAIN HOSE</b>	
Ft. (m)	6 (1.83)
<b>ADJUSTABLE LEVELING LEGS</b>	•
<b>APPROXIMATE WEIGHT</b>	
Crated—lbs. (kg)	244 (111)
Uncrated—lbs. (kg)	235 (107)
<b>DIMENSIONS</b>	
Width—in. (mm)	27 (685.8)
Depth—in. (mm) includes handle	29.25 (743)
Height—in. (mm)	38.94 (983)**



NEW YORK CITY  
M.E.A.



BEAB  
Approved



### THE BEST WARRANTY IN THE BUSINESS— 5 YEARS ON ALL PARTS

For a period from the date of original purchase through the time listed above, the designated parts that fail in normal commercial use will be repaired or replaced free of charge for the part itself, with the owner paying all other costs, including labor, transportation and customs duty. Chemical damage is excluded from all warranty coverage. See complete warranty for details.

For more information and pricing, contact:

## Equipment Marketers

100 Melrose Avenue  
Cherry Hill, NJ 08003

Phone: 800.223.1376

Fax: 856.428.5477

[www.equipmentmarketers.net](http://www.equipmentmarketers.net)

[maytag@equipmentmarketers.net](mailto:maytag@equipmentmarketers.net)